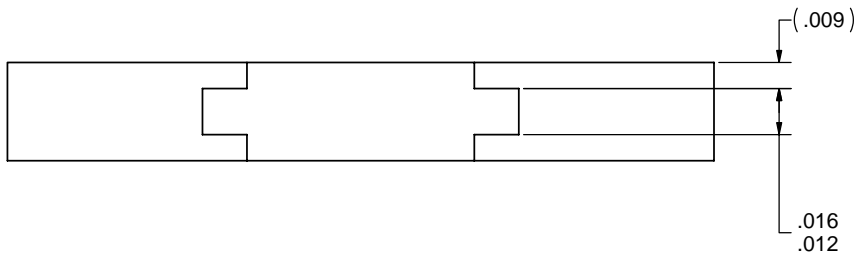
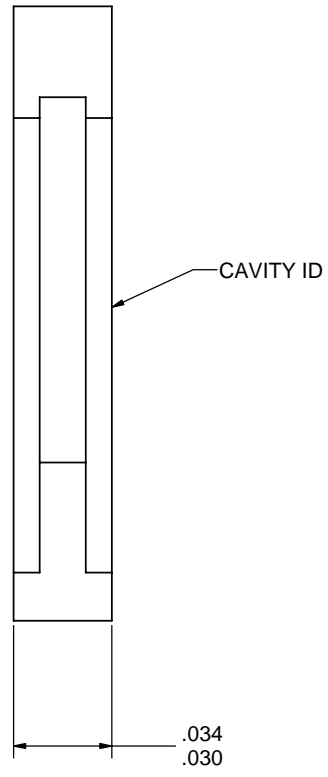
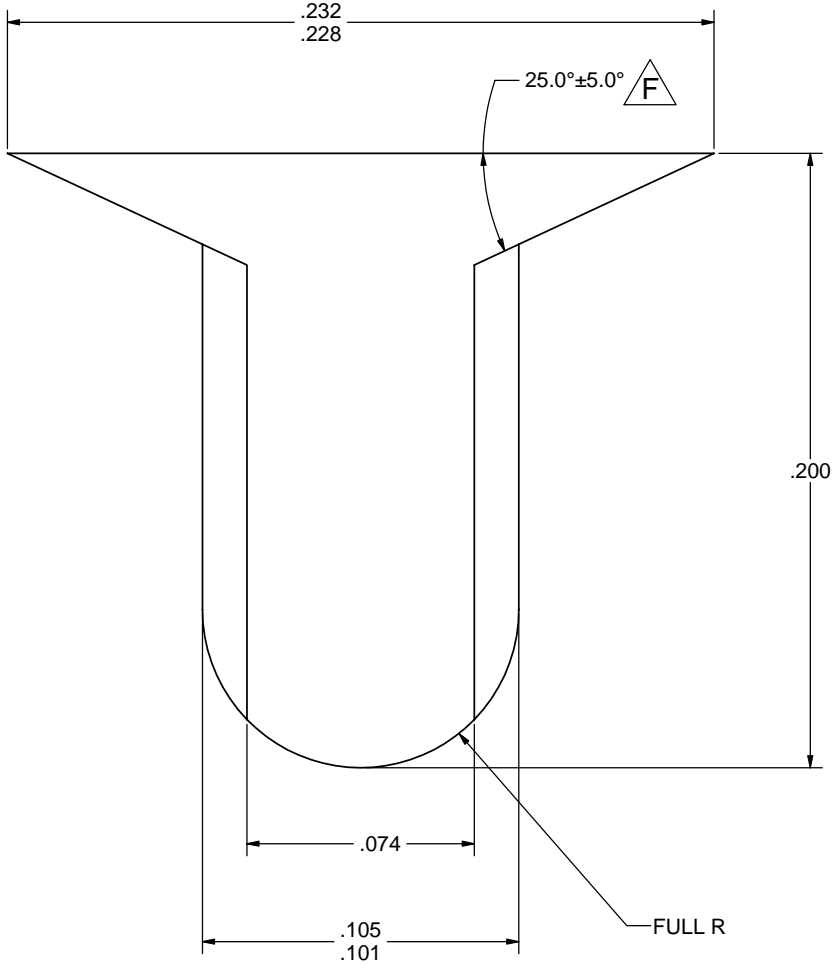


REVISIONS				
REV.	ECO. NO	DESCRIPTION	DATE	BY
E	1	REDRAWN IN SOLIDWORKS	4/29/03	HS
F	468	CHANGED 25°±1° TO 25°±5°	12/3/2004	JFW



NOTES:
1. MATERIAL: WHITE VALOX 420 SE0 OR NYLON 6/6

UNLESS OTHERWISE SPECIFIED: DIMENSIONS ARE IN INCHES[MM]			DRAWN		DATE	NAME
TOLERANCES: ANGULAR: ± 1° XX = ± .02 [.508] .XXX = ± .005 [.1270] XXXX = ± .0005 [.0127] PARENTHETICAL INFORMATION IS FOR REFERENCE ONLY			12/3/2004		JFW	
INTERPRET DIMENSIONS AND GEOMETRIC TOLERANCING PER: ANSI Y14.5-1984			THE INFORMATION HEREIN CONTAINS PROPRIETARY RIGHTS OF SULLINS ELECTRONICS AND IS NOT TO BE REPRODUCED, USED OR DISCLOSED TO OTHERS FOR ANY PURPOSE EXCEPT AS SPECIFICALLY AUTHORIZED IN WRITING BY SULLINS ELECTRONICS.		DESCRIPTION	
SIZE			C		DWG. NO.	
			102		REV	
			F		SCALE: 32:1	
			SHEET 1 OF 1			